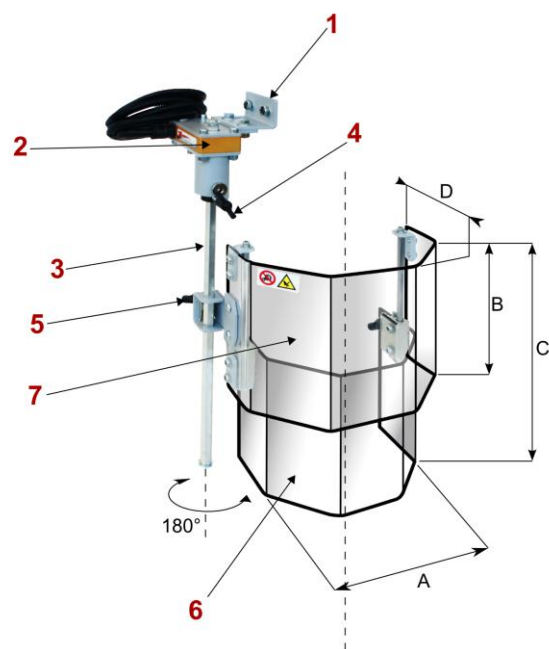


• Telescopic safety guard for drill

Safety guard with telescopic shield and vertical adjustment, extremely versatile for the protection of the spindle and of the working tool. Equipped with 180° rotation and safety microswitch.



Protects the operator from direct frontal contact with rotating components of the spindle, of the tool and from projection of shavings and lubricant-coolant. The main feature is the telescopic shield, vertically adjustable (refer to dimensions "B" and "C") and positionable along arm 3.

The shield opens laterally with 180° rotary movement, allowing easy access for operations of tool change.

The stirrup allows a solid anchorage at the drill structure.

Complete with pre-wired safety microswitch.

1	Anchorage stirrup – in pressed steel
2	Self-bearing main box with integrated microswitch – 180° rotation - n. 2 NC contacts
3	Shield support vertical arm – in steel hexagon
4	Adjustment knob for arm-shield assembly with respect to the microswitch main box
5	Adjustment shield knob with respect to the support arm
6	Semi-octagonal polycarbonate front shield
7	"C" shaped rear shield

Code	A	B	C	D	E
PTR 05/180	172	180	180-300	114	230

Safety guard for drills with rear shield

Code	Description	€ Each
PTR 05/180	Shield Ø 230 h 180 mm. - with safety microswitch	295,00
PTR 05/180/SC	Full sliding shield replacement	154,00
PTR 05/180/SSU	Polycarbonate shockproof spare shield (Upper)	18,00
PTR 05/130/SSL	Polycarbonate shockproof spare shield (Lower)	18,00